

Molteni & C

PAUL — VINCENT VAN DUYSSEN 2016

1—
7



Paul is a set of elegantly proportioned sofas with reassuring lines, elements that emphasize Vincent Van Duysen's expressive rationality. The project includes linear sofas, angular compositions, chaises longues and islands, all with a single seat cushion. Paul features generous dimensions, distinctive double seams and great comfort, elements that look good, even in the center of the room. The impression is lightweight, accentuated by the neat design of the pressure die-cast aluminum feet. Items featuring considerable depth complete the project, for a comfortable, luxurious and cosy way of sitting.

DATASHEET

REGISTERED
DESIGN

IX.2018

FINISHES

COVERS

fabric - leather, completely removable.

BASE FINISH

pewter colour
black chrome painted
shiny aluminium

Available in fire-resistant version (TB117 and BS5852).

Molteni & C

TECHNICAL INFORMATION

STRUCTURE INTERIOR

Frame made of solid Fir (Picea abies) and chipboard, with elastic straps.

STRUCTURE PADDING

High capacity variable density foam polyurethane. Light velvet cover.

SEAT CUSHION

Insert in shaped polyurethane and sterilised feathers. 100% cotton cover.

BACK CUSHIONS

Polyester fibre, sterilised feathers. 100% cotton cover.

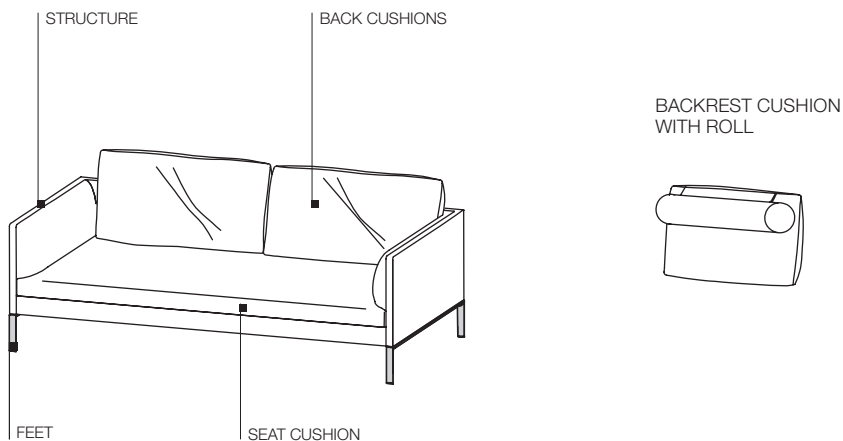
FEET

In die cast metal with non-slip plastic tips.

REMOVABLE OUTER COVER

(See attached card, specifically for the cover).

2—
7



DATASHEET

REGISTERED
DESIGN

IX.2018

Notes

- At the time of ordering, specify the typology of the backrests (with or without the roller).
If backrests with rollers are selected, specify the quantity.

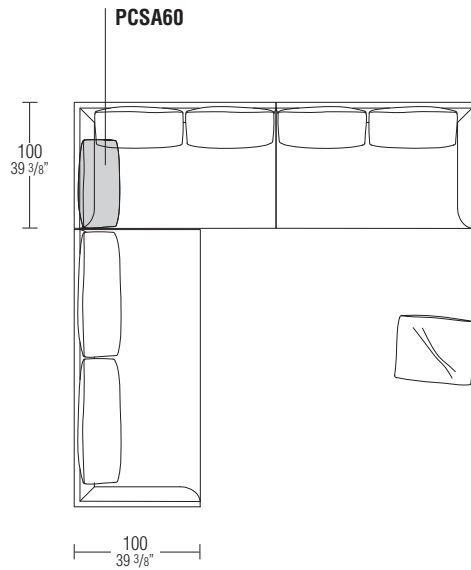
- It is possible to combine sofas with different depths.

- At the time of ordering, it is possible to choose between two types of seat cushions: STANDARD or SOLID (more rigid).
If no specifications are indicated, the STANDARD type will be confirmed.

EXAMPLE OF COMPOSITIONS

Molteni & C

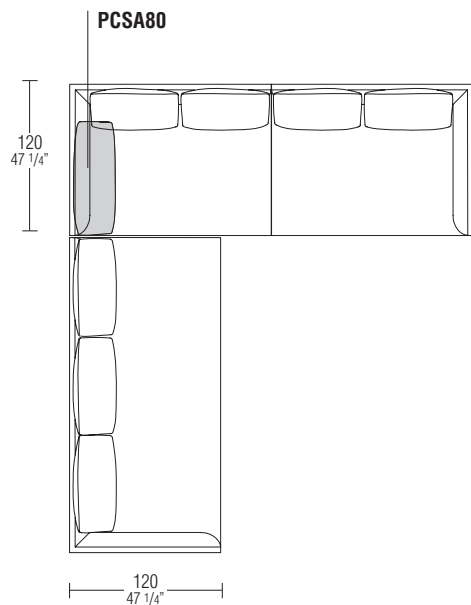
3—
7



Attention:

in compositions with corner
please add a corner cushion:
for elements with D 100 **cod. PCSA60**
for elements with D 120 **cod. PCSA80**

Corner cushions can also be fitted with headrest
rollers



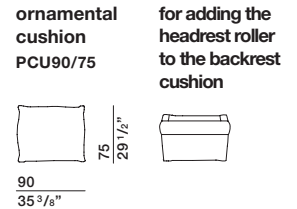
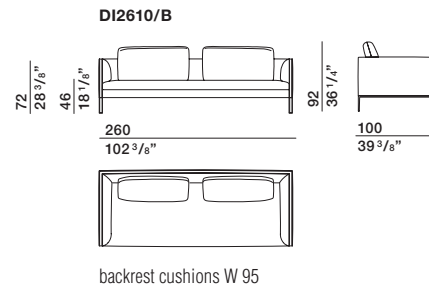
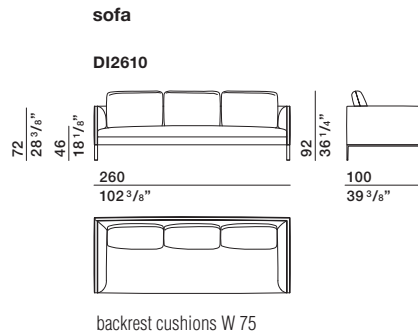
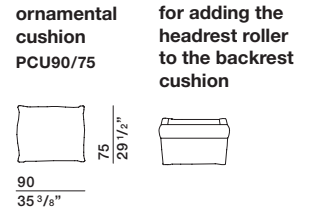
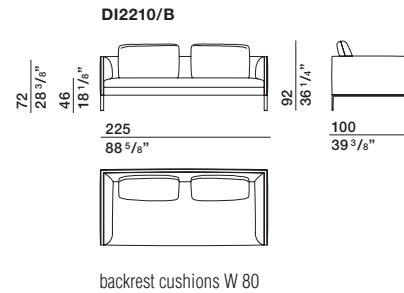
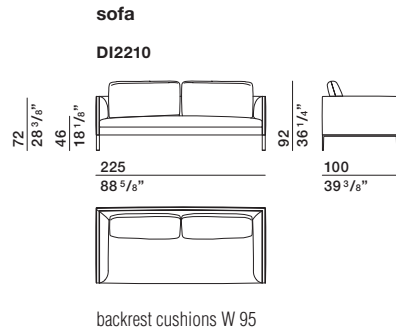
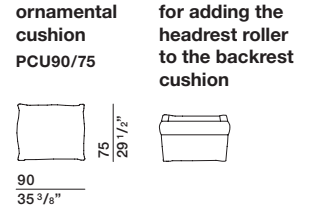
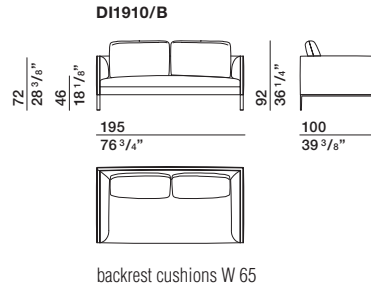
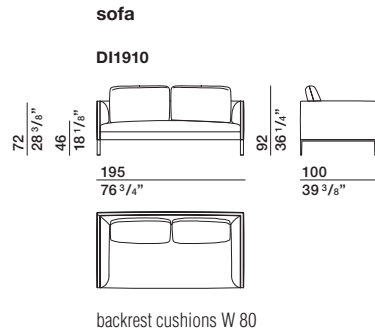
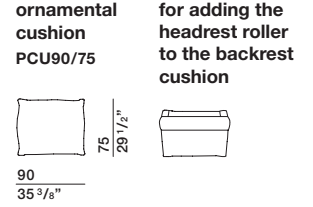
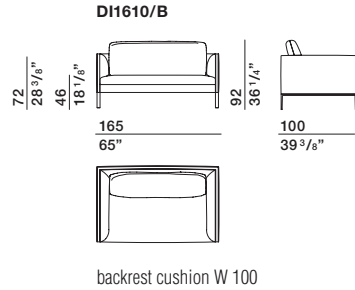
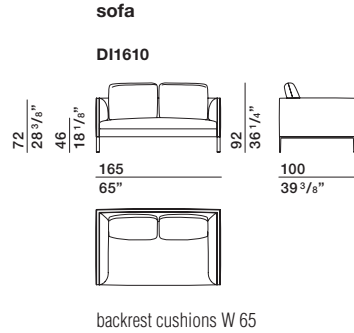
DATASHEET

REGISTERED
DESIGN

IX.2018

DIMENSIONS

Paul depth 100



DATASHEET

REGISTERED
DESIGN

IX.2018

DIMENSIONS

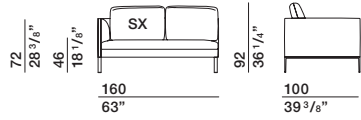
Paul depth 100

Molteni & C

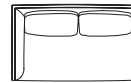
5—
7

end element

TE1610 dx - sx

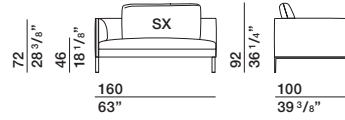


160
63"

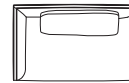


backrest cushions W 70

TE1610/B dx - sx

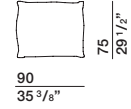


160
63"



backrest cushion W 100

**ornamental
cushion
PCU90/75**

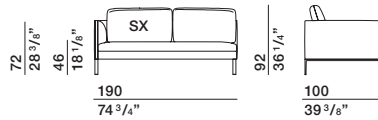


**for adding the
headrest roller
to the backrest
cushion**



end element

TE1910 dx - sx

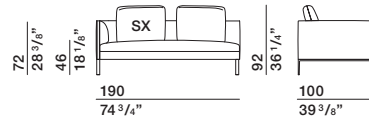


190
74 3/4"



backrest cushions W 85

TE1910/B dx - sx

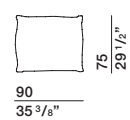


190
74 3/4"



backrest cushions W 65

**ornamental
cushion
PCU90/75**

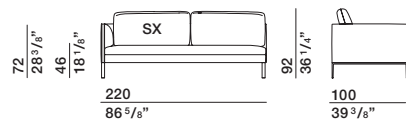


**for adding the
headrest roller
to the backrest
cushion**



end element

TE2210 dx - sx

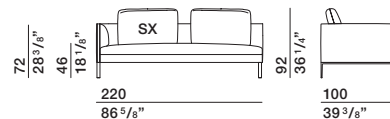


220
86 5/8"

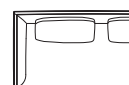


backrest cushions W 100

TE2210/B dx - sx

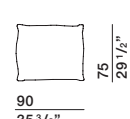


220
86 5/8"



backrest cushions W 80

**ornamental
cushion
PCU90/75**

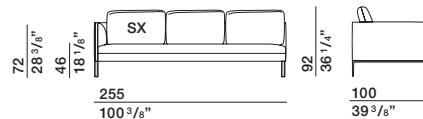


**for adding the
headrest roller
to the backrest
cushion**



end element

TE2510 dx - sx

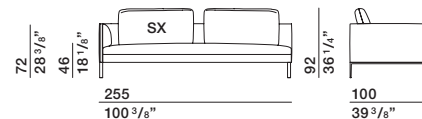


255
100 3/8"

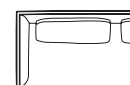


backrest cushions W 80

TE2510/B dx - sx

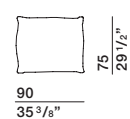


255
100 3/8"



backrest cushions W 95

**ornamental
cushion
PCU90/75**



**for adding the
headrest roller
to the backrest
cushion**



DATASHEET

REGISTERED
DESIGN

IX.2018

DIMENSIONS

Paul common elements

Molteni & C

6—
7

island element
IS1510 dx - sx

72
28 3/8"
46
18 1/8"

156
61 1/4"

92
36 1/4"

100
39 3/8"

for adding the headrest roller to the backrest cushion

backrest cushions W 80

chaise longue
CL1610 dx - sx

72
28 3/8"
46
18 1/8"

160
63"

92
36 1/4"

100
39 3/8"

ornamental cushion
PCU90/75

90
35 3/8"

75
29 1/2"

for adding the headrest roller to the backrest cushion

backrest cushion W 80

chaise longue
CL2210 dx - sx

72
28 3/8"
46
18 1/8"

220
86 5/8"

92
36 1/4"

100
39 3/8"

CL2210/B dx - sx

72
28 3/8"
46
18 1/8"

220
86 5/8"

92
36 1/4"

100
39 3/8"

ornamental cushion
PCU90/75

90
35 3/8"

75
29 1/2"

for adding the headrest roller to the backrest cushion

backrest cushion W 80

Paul depth 120

sofa
DI2712

72
28 3/8"
46
18 1/8"

275
108 1/4"

92
36 1/4"

120
47 1/4"

DI2712/B

72
28 3/8"
46
18 1/8"

275
108 1/4"

92
36 1/4"

120
47 1/4"

ornamental cushion
PCU90/75

90
35 3/8"

75
29 1/2"

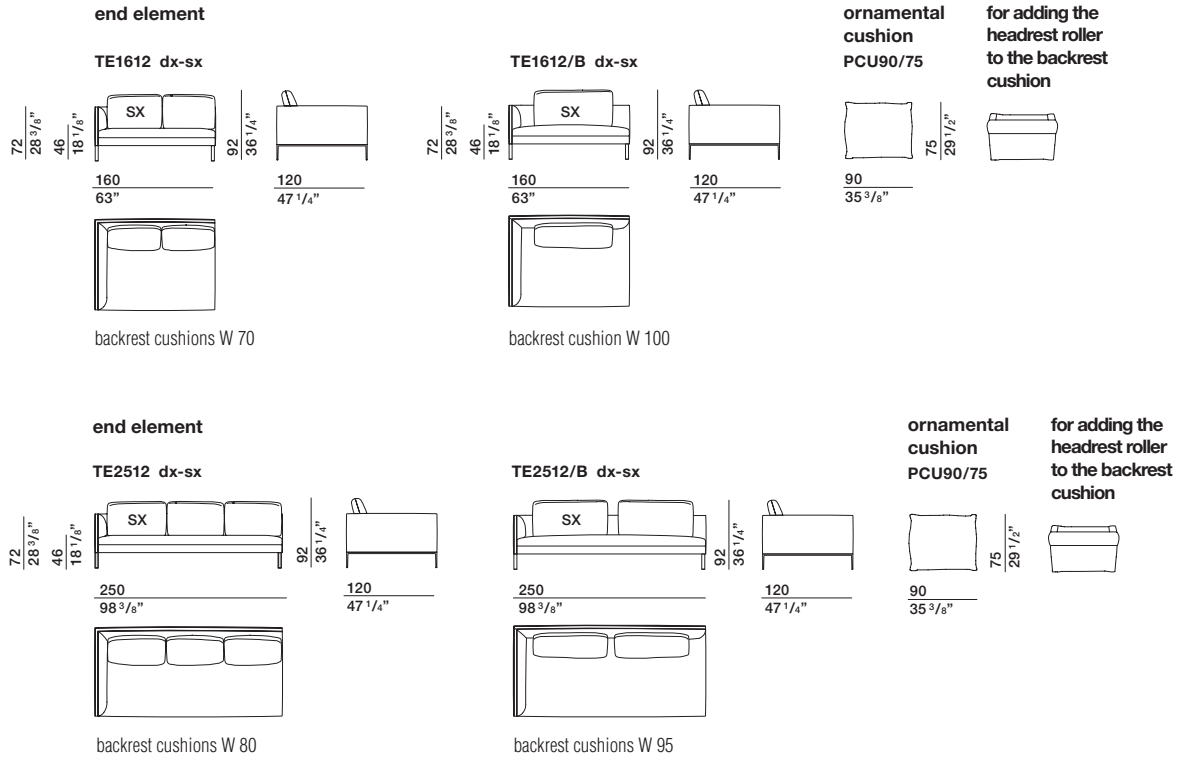
for adding the headrest roller to the backrest cushion

backrest cushions W 80

backrest cushions W 95

DIMENSIONS

Paul depth 120



Paul common elements

